

APPLICATIONS

- Reconnaissance
- Surveillance
- Target Acquisition
- Border Patrol
- Special Operations
- Forward Observation
- Fire Control
- Range Safety
- Force Protection
- Drug Interdiction
- Search & Rescue
- Environmental Monitoring

LONG-RANGE INFRARED IMAGER

MilCAM Recon puts state-of-the-art infrared imaging in the palm of your hand for an unprecedented viewing capability at multi-kilometer distances. Rugged, yet surprisingly lightweight, Recon gives you the tactical advantage in applications where long standoff range to target is required.

LEADING-EDGE THERMAL IMAGING

Recon's superior imaging is based on FLIR's leading-edge, third-generation, Indium Antimonide (InSb) focal plane array. This high-resolution sensor delivers images of unmatched sensitivity, contrast, and clarity. Thus, you can detect critical detail other cameras miss — even from kilometers away.

UNSURPASSED STANDOFF PERFORMANCE

Zero in on targets safely and completely undetected. A dual field-of-view 50/250 mm optic enables you to classify vehicles at ranges exceeding 5 kms. Targets are visible through smoke, dust, battlefield obscurants, and degraded weather conditions.

RUGGED AND LIGHTWEIGHT

Recon meets MIL-STD-810E for ruggedness in demanding operations. Less than 2.5 kg, the system can be easily and single-handedly operated with minimal operator fatigue.

SIMPLE-YET-SOPHISTICATED OPERATION

Recon's controls are ultra-simple — first-time operators can become proficient quickly and with minimal training. Convenience and dependability features include auto level, selectable reticles, a digital interface, video overlay, and AC or DC power options.

REMOTE CAPABILITY

Recon offers full remote control capabilities and a tripod mount. You can also operate the system from your computer or laptop via the camera's digital interface.

CUSTOM PLATFORM INTEGRATION

Integrate Recon with GPS, pan/tilt heads, CCD-TV, and other sensors via the RS-232 interface. Configurations for integration into a wide variety of mobile systems, vehicles, and platforms are also available from FLIR Systems.

BACKED BY THE FLIR NAME

FLIR is the world's leading supplier of advanced infrared imaging systems for military, government, and law enforcement applications. With a global network of service and training centers, FLIR assures you the experience, resources, and customer commitment you demand.



SYSTEM SPECIFICATIONS

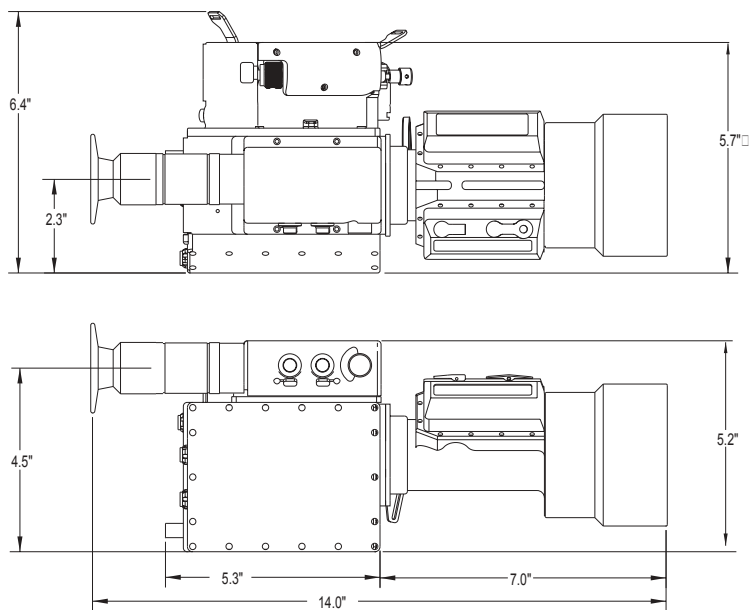
Video Format	RS-170 or CCIR
Serial Interface	RS-232 camera & lens
Power Requirements	7 VDC/5.5 W (5 V to 24 VDC)
Battery Life	NiMH >2.5 hours (optional lithium battery >4 hours)
Operating Temperature Range	-32°C to +55°C (-26°F to +131°F)
Environmental Qualifications	Fully ruggedized/MIL-STD-810E qualified
Camera Controls	On/off/standby, auto & manual gain & level, polarity, reticle on/off, reticle select, non-uniformity correction, sensitivity select, change FOV, focus
Mounting	Tripod mount 1/4-20; standard NATO 3 point mount
Dimensions (nominal)	14" L x 5.2" H x 5.7" W (35.5 L x 13 H x 14.5 cm W)
Weight (including battery)	<5.7 lbs

THERMAL IMAGER

Detector	320 x 240 InSb FPA
Spectral Band	3-5 μ m
Optics	f/4.0
Field of View	
WFOV	50 mm, 11° (h) x 9° (v)
NFOV	250 mm, 2.2° (h) x 1.75° (v)
FPA Cooling	Closed-cycle Stirling
Noise Equivalent Temperature	0.025°C @ 23°C

ACCESSORIES

Storage/Transport Case	Hard shell, lockable with fitted foam insert
Adaptor/Charger	110 VAC/220 VAC power supply/battery charger
Batteries	NiMH rechargeable (lithium optional)



Equipment described herein may require US Government authorization for export purposes. Diversion contrary to US law is prohibited.

©2002 FLIR Systems, Inc. Specifications are subject to change. Check website. 0613

CORPORATE HEADQUARTERS

FLIR Systems, Inc.
16505 SW 72nd Ave.
Portland, OR 97224
USA
PH: +1 503.684.3731
PH: +1 800.322.3731
FX: +1 503.684.3207

BOSTON

FLIR Systems Boston, Inc.
16 Esquire Road
North Billerica, MA 01862
USA
PH: +1 978.901.8000
PH: +1 800.GO.INFRA
FX: +1 978.901.8885

EUROPE

FLIR Systems Ltd.
2 Kings Hill Avenue
West Malling, Kent
ME19 4AQ
United Kingdom
PH: +44.1732.220011
FX: +44.1732.220014

CANADA

FLIR Systems Ltd.
5230 South Service Road
Suite 125
Burlington, ON L7L 5K2
Canada
PH: +1 905.637.5696
PH: +1 800.613.0507
FX: +1 905.639.5488

SWEDEN

FLIR Systems AB
Rinkebyvagen 19
P.O. Box 3
SE-182 11 Danderyd
Sweden
PH: +46.8.753.2500
FX: +46.8.753.2364

MIDDLE EAST

FLIR Systems Inc.
Middle East Office
UB Building
Suite 108
P.O. Box 35021
Dubai
United Arab Emirates
PH: +971.4.2822339
FX: +971.4.2822527